

EBDSPIR-DNET1

PIR detector ceiling DALI network

Overview



The EBDSPIR-DNET1 is a combined passive infrared (PIR) motion sensor and photocell designed to be part of a DALI network.

Functioning as a presence detector, the unit returns occupancy data to the DALI network.

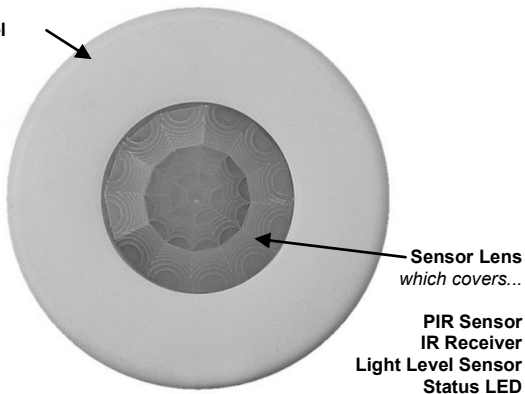
The photocell provides a lux level measurement value to the DALI network.

For a copy of the DALI 'Command set', contact CP Electronics' technical support.

Features & wiring

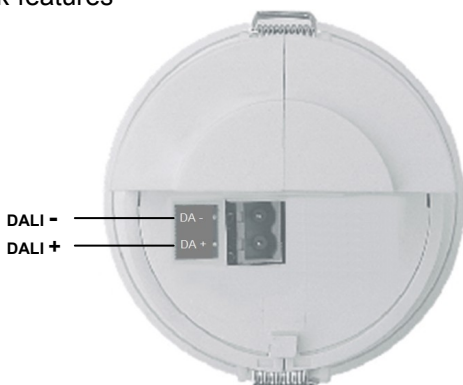
Front features

Mounting Bezel



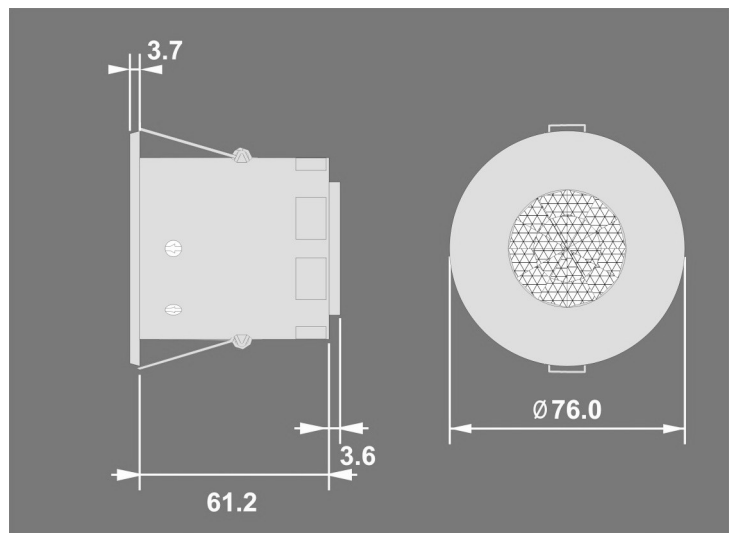
PIR Sensor
IR Receiver
Light Level Sensor
Status LED

Back features



DALI - DA -
DALI + DA +

Dimensions

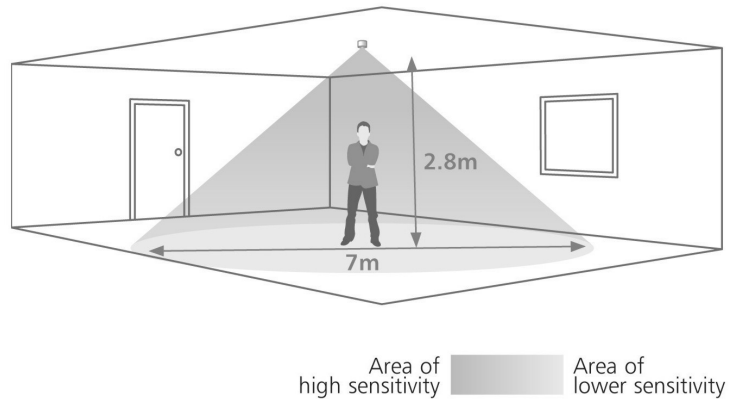


Installing the PIR Detector

Choosing a Suitable Location

The PIR Detector is designed to be ceiling mounted and must satisfy the following criteria:

- Avoid positioning the unit where direct sunlight may enter the sensor element.
- Do not site the sensor within 1m of any lighting, forced air heating or ventilation.
- Do not fix the sensor to an unstable or vibrating surface.
- Position the sensor so that the occupants of the room fall inside the detection zone. Note that the detection zone illustrated is based on a recommended mounting height of 2.8m. A lower height will decrease the overall size of the detection zone.

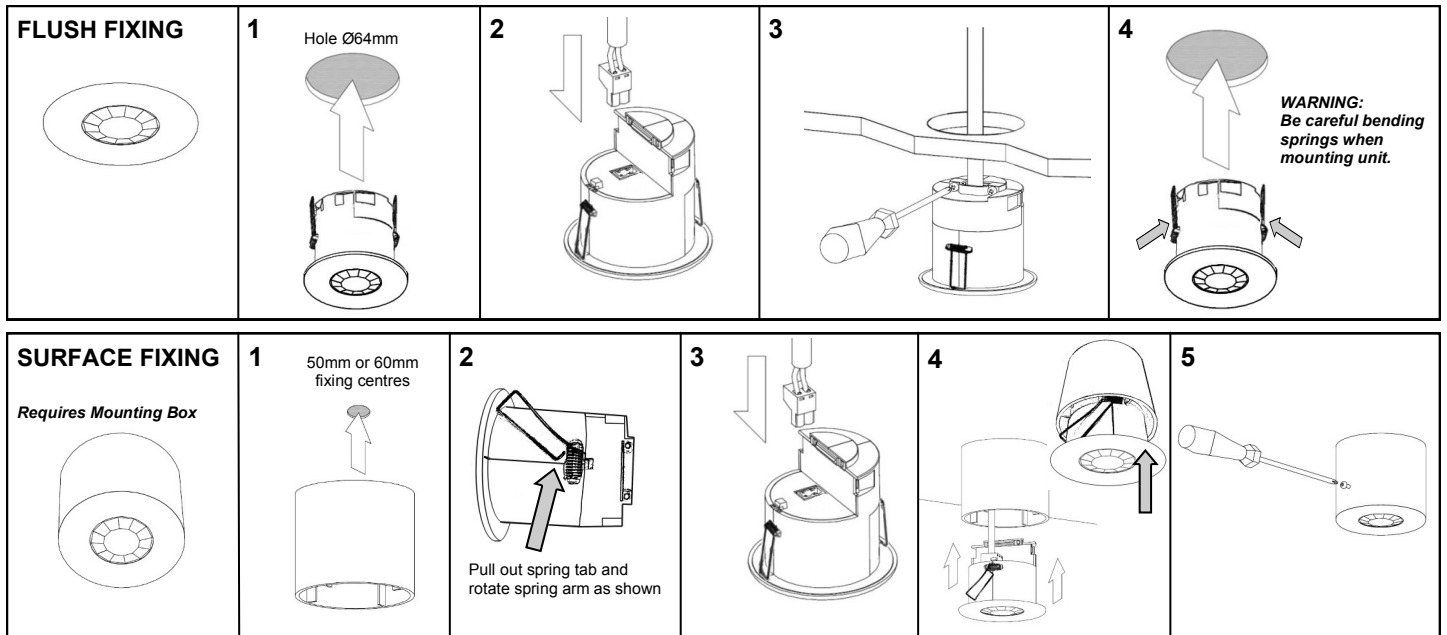


Mounting Methods

The Detector is designed to be mounted using either:

- Flush fixing (recommended), or
- Surface fixing, using the optional Surface Mounting Box (part no. DBB).

Both methods are illustrated in below.



Technical data

Dimensions	See diagrams on page 1
Weight	0.07kg
Supply Voltage	9.5VDC—22.5VDC via DALI
Supply Current	8mA
Terminal Capacity	2.5mm ² (solid or stranded)
Material (casing)	Flame retardant ABS and PC/ABS
Compliance	EMC-2014/30/EU LVD-2014/35/EU



FM 45789

EMS 534520

OHS 642036



CP Electronics - a business unit of
Legrand Electric Limited
Brent Crescent, London NW10 7XR UK
Tel: +44 (0)333 900 0671
Fax: +44 (0)333 900 0674

A brand of **legrand**[®]
www.cpelectronics.co.uk
enquiry@cpelectronics.co.uk